

GRAB

KENANCRANES
Trust in Kino for Safer Lifting



中国 · CHINA

河南科南起重机有限公司
Henan Kinocranes Co.,Ltd.

Add:No.730, Xinghai Center, Hongqi District,Xinxiang,Henan,China

Tel:0086-373-3809044

Fax:0086-373-3809044

Inquiry Email: inquirey@kinocranes.com

Web:www.kinocranes.com



目录 CONTENTS

普通四绳抓斗 General four rope grab bucket	01
四绳派拿抓斗 Four rope paina grab bucket	10
双绳抓斗 Double rope grab bucket	16
单绳悬挂抓斗 Single rope hanging grab bucket	19
电动液压多瓣抓斗 Electric hydraulic mutivalve grab bucket	23
电动液压双瓣抓斗 Electric hydraulic double disc grab bucket	27
电动马达抓斗 Electric motor grab bucket	29
电动不锈钢抓斗 Electric stainless steel grab bucket	31
电动单轨抓斗起重机 Electric monorail grab crane	32
多瓣抓斗 Many disc grab bucket	35
剪式抓斗 Scissor grab bucket	38
木材抓斗 Wood grab bucket	39
绳索式清污矩形抓斗 Rope type rack cleaner rectargular grab bucket	40
疏浚抓斗 Dredging grab bucket	41
四索防漏双瓣抓斗 Four rope prevent leakage double disc grab bucket	42
无线遥控双瓣抓斗 Wireless remote controlled grab bucket	43
半剪式散货抓斗 Half a scissor grab	44
抓斗类型选用参考 Grab type selection reference	45
特订导轮装置 Selected guide rollers device	46
挖机专用液压抓斗 Dredging hydraulic grab bucket	47
专用吊具系列 Special sling series	48
电磁挂梁 The electromagnetism beam	51

普通四绳抓斗

/Four Rope Grab Bucket





四绳抓斗工作原理 / Four Rope Grab Bucket Working Principle

在各类起重机上，配有两组电机卷筒（即电动葫芦），每组卷筒引出两根钢丝绳，其中两根成一组分别生根在抓斗平衡架端作支持用，另一组钢丝绳经过上横梁的滑轮与下横梁的滑轮，组成滑轮组，起开闭斗部作用。

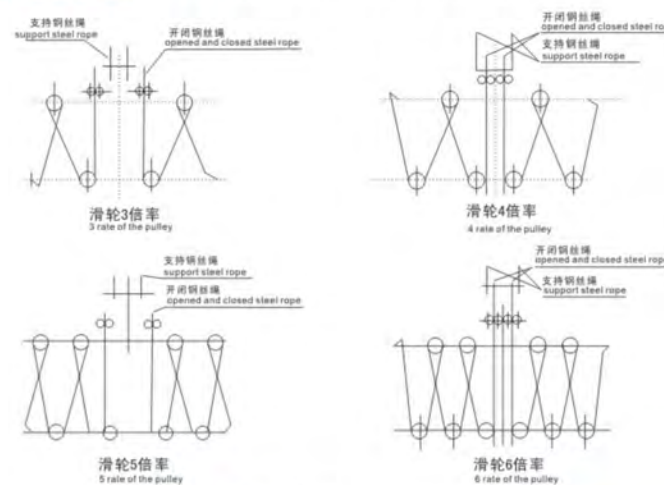
工作开始时，支持钢丝绳将抓斗起吊在适当的位置上，然后放下开闭钢丝绳，这时靠下横梁的自重迫使斗部以下横梁大轴为中心将斗部打开，当斗部开到两耳板的碰块相撞时，即斗部打开到最大极限。开斗时，上横梁滑轮和下横梁滑轮中心距加大，然后支持钢丝绳落下，将已打开的抓斗，落在要抓取的松散堆积物上面，再收拢开闭钢丝绳，将上横梁滑轮与下横梁滑轮的中心距恢复到原来的位置，这样就完成了抓取物料的过程。在闭合的斗部里已经装满了物料，最后同时提升开闭和支持钢丝绳，整个抓斗即被吊起，经起重机移动到所需卸料场地上，开斗卸下所抓取的物料。

In all kinds of crane with two group of motor drum (motor hoist), each group motor drum lead two wire ropes, they make one group wire ropes rooted in the balance frame for supporting, another group of wire rope pass the up beam pulley and the down beam pulley, composite a pulley block as open and close grab bucket.

Work began, support wire rope will lift the grab bucket in well place, and then shut down the support rope, rely on the dead weight of the down beam forced the down beam big shaft as center open the grab body. when the two ear plates touch piece smash together, the grab body part open distance increase. when opening the grab bucket, the up beam pulley and down beam pulley's center distance increase, and then the support rope put down, the opened grab bucket fall on the captured materials above, and packed around the open and close rope, the up beam pulley and the down beam pulleys' center distance return to its original position, thus completing the capture the grab materials process. In the last, lifting open and close rope and support rope at the same time, the whole grab bucket is lifted, according to the crane, move the grab bucket to the discharge yard, unloading the materials.

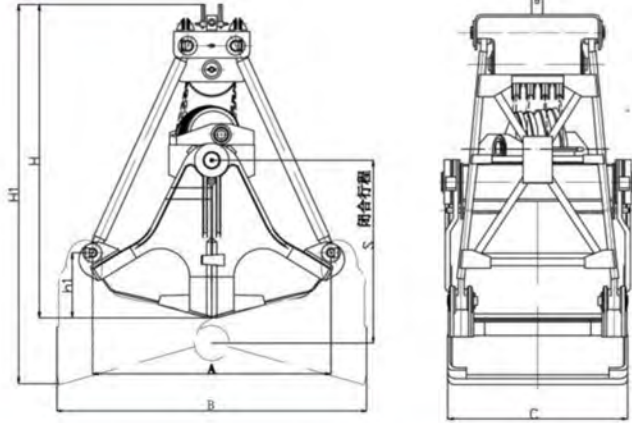


四绳抓斗绕线示意图 / Four Rope Grab Bucket Coiling Schemes



四绳抓斗技术参数

/Four Rope Grab Bucket Technology Parameters

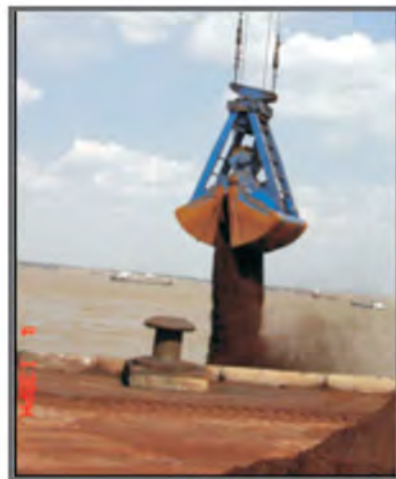


型号 Model	容积 Volume m³	类型 Type	物料比重 The rate of material t/m³	滑轮倍率 The rate of pulley	滑轮直径 The Dia. of pulley mm	钢丝绳直径 The dia. of steel rope mm	开闭时间 Open and close time sec	抓斗自重 Grab self weight t	配用起重吨位 Using crane t	抓斗闭合高度 Closed height Hmm	抓斗张开高度 Opened height H1mm	抓斗闭合长度 Closed length A mm	抓斗张开长度 Opened length B mm	抓斗宽度 Grab width C mm	斗部水平高度 The bucket level height H2 mm	滑轮闭合行程 Closed distance of the pulley S mm	备注 Notes
U1	1	重 Heavy	>1.8-2.9	5	φ350	φ14-16	11	2.1	5	2635	3065	1850	2544	1224	673	1430	
U2	1.5	中 Middle	>1.0-1.8	5	φ350	φ14-16	12.5	2.25	5	2765	3280	2150	2798	1324	745	1620	
U3	2.5	轻 Light	>0.5-1.0	3	φ350	φ14-16	8	2.38	5	2985	3444	2350	3227	1570	927	1730	
U4	2	重 Heavy	>1.8-2.9	5	φ500	φ18-20	15	3.94	10	3184	3757	2410	3070	1412	826	1781	
U5	3	中 Middle	>1.0-1.8	5	φ500	φ18-20	15	4.4	10	3301	3960	2650	3308	1642	900	2000	
U6	5	轻 Light	>0.5-1	3	φ500	φ18-20	10	4.6	10	3549	4150	2950	3790	1988	1090	2249	
U7	3	重 Heavy	>1.8-2.9	5	φ610	φ21.5	15.3	6.4	15	3856	4532	2616	3326	1806	886	1986	
U8	4.5	中 Middle	>1.0-1.8	5	φ610	φ21.5	17.3	6.98	15	4076	4851	2956	3756	1906	1041	2256	
U21	2.5	轻 Light	0.86	4	φ400	φ16	10.3	2.83	5	3350	3809	2350	3150	1560	920	1710	
U27	2	中 Middle	>1.0-1.6	5	φ400	φ16	12.2	2.5	5	2926	3426	2200	3000	1500	841	1666	
GC12-00	5	重 Heavy	2	6	φ580	φ28	13	9.6	20	4820	5580	2950	5000	1914	916	2490	带齿 Filter
E1470	1.8	重 Heavy	2-2.8	5	φ580	φ20	11	5.5	10	3340	3590	2150	3200	1470	760	1720	
U56	9	轻 Light	0.95	3	φ600	φ23.5	7.4	7.4	15	4695	5785	3385	4900	2356	1270	2650	
U99	0.5	重 Heavy	>1.7-2.5	5	φ350	φ16	9.5	2	3.5	2197	2735	1600	1800	950	416	1050	
U100	0.5	超重 Overheavy	>2.5-4	5	φ400	φ16	10	2.35	5	2292	2882	1430	1800	1080	420	1055	带齿 Filter 水下作业模式 with an extreme mode.
U67	1.5	中 Middle	>1-1.9	5	φ400	φ16	9	2.46	5	2968	3492	2120	2800	1360	698	1720	
U41	4	重 Heavy	2.5	5	φ700	φ28	14	8.46	20	4215	4820	2800	4200	1874	930	2260	

四绳抓斗技术参数

/Four Rope Grab Bucket Technology Parameters

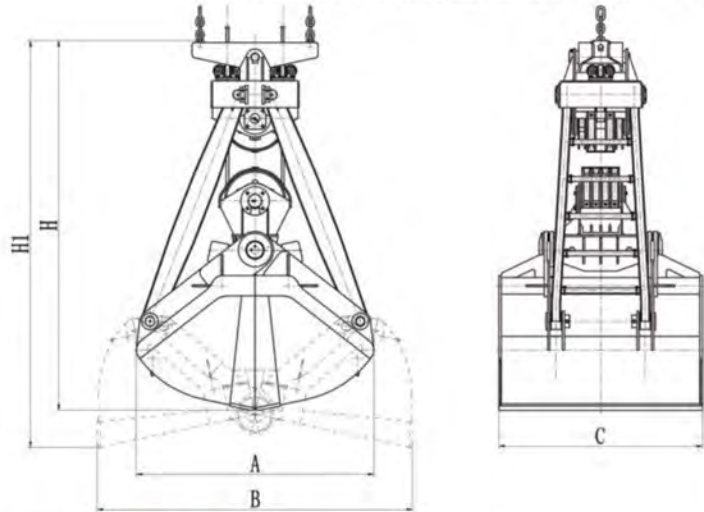
型号 Model	容积 Volume m³	类型 Type	物料比重 The rate of material t/m³	滑轮倍率 The rate of pulley	滑轮直径 The Dia. of pulley mm	钢丝绳直径 The dia. of steel rope mm	开闭时间 Open and close time sec	抓斗自重 Grab self weight t	配用起重吨位 Using crane t	抓斗闭合高度 Closed height Hmm	抓斗张开高度 Opened height H1mm	抓斗闭合长度 Closed length A mm	抓斗张开长度 Opened length B mm	抓斗宽度 Grab width C mm	斗部水平高度 The bucket level height H2 mm	滑轮闭合行程 Closed distance of the pulley S mm	备注 Notes
U43	1	重 Heavy	>2-3	5	φ400	φ16	11.6	2.28	5	2667	3253	2100	2600	1152	577	1557	带齿 Filter
U44	1	重 Heavy	>2-3	5	φ400	φ16	11.6	2.33	5	2685	3462	2100	2600	1152	657	1557	
U45	1.5	中 Middle	>1-1.9	5	φ400	φ16	11.6	2.46	5	2667	3253	2100	2600	1452	577	1557	平行大梁抓斗 parallel girder grab
U46	1.5	中 Middle	>1-1.9	5	φ400	φ16	11.6	2.44	5	2667	3253	2100	2600	1452	577	1557	
U47A	2.5	轻 Light	0.92	3	φ400	φ16	7.4	2.25	5	2926	3426	2200	3000	1620	841	1666	
U47	3	轻 Light	0.92	3	φ400	φ16	7.4	2.4	5	2926	3426	2200	3000	1852	841	1666	
U48	2	重 Heavy	>2-3	5	φ500	φ20	16.2	3.96	10	3315	4015	2500	3200	1460	680	1915	
U48A	2	重 Heavy	>2-3	5	φ500	φ20	16.2	4.12	10	3420	4195	2500	3200	1460	780	1915	带齿 Filter
U49	2	重 Heavy	2.7	5	φ500	φ20	15.6	4.66	10	3455	4215	2500	3300	1464	790	2100	带齿 Filter
U50	3	中 Middle	>1-2	5	φ500	φ20	16.2	4.27	10	3315	4015	2500	3200	1960	680	1915	
U51	3	中 Middle	>1-2	5	φ500	φ20	16.2	4.39	10	3405	4258	2500	3200	1960	780	1915	带齿 Filter
U52	6	轻 Light	0.92	3	φ500	φ20	9.5	4.24	10	3615	4265	2800	3700	2250	1050	2030	
U53	3	重 Heavy	2.5	5	φ600	φ23.5	14	7	15	3850	4580	2720	3400	1678	850	1960	
U54	3	重 Heavy	2.5	5	φ600	φ23.5	14	7.36	15	3980	4770	2720	3400	1678	950	1960	带齿 Filter
U72	3	重 Heavy	2.5	5	φ600	φ23.5	14	7.5	15	3850	4580	2720	3400	1678	850	1960	平行大梁抓斗 parallel girder grab
U55	4.5	中 Middle	1.7	5	φ600	φ23.5	16.3	7.5	15	4130	4750	3000	4050	2070	850	2280	
U55 II	4.5	中 Middle	1.7	5	φ600	φ23.5	16.3	7.8	15	4255	4930	3000	4050	2070	865	2280	带齿 Filter
U76	4.5	中 Middle	1.7	5	φ600	φ23.5	16.3	7.6	15	4130	4750	3000	4050	2070	850	2280	平行大梁抓斗 parallel girder grab
U63	3	中 Middle	>1-2	5	φ500	φ20	16.2	4.3	10	3315	4015	2500	3200	1960	680	1915	平行大梁抓斗 parallel girder grab
U69	1.5	中 Middle	>1-1.9	5	φ400	φ16	11.6	2.5	5	2747	3463	2100	2600	1452	647	1557	带齿 Filter
U101	0.75	超重 Overheavy	>2.5-3.3	6	φ400	φ16	11.9	2.47	5	2735	3125	1650	2340	1054	540	1390	带齿 Filter
U102	0.75	超重 Overheavy	>2.5-3.3	6	φ400	φ16	11.9	2.54	5	2815	3345	1650	2340	1054	620	1390	
U105	1	重 Heavy	>1.7-2.5	6	φ400	φ16	11.8	2.5	5	2835	3370	1800	2530	1150	600	1415	
U106	1	重 Heavy	>1.7-2.5	6	φ400	φ16	11.8	2.55	5	2915	3575	1800	2530	1150	680	1415	带齿 Filter
U109	1.5	中 Middle	>1-1.7	5	φ400	φ16	11.6	2.54	5	2935	3385	1950	2740	1366	655	1540	
U110	1.5	中 Middle	>1-1.7	5	φ400	φ16	11.6	2.6	5	3015	3605	1950	2740	1366	735	1540	带齿 Filter



四绳派拿抓斗/Four Rope Paina Grab Bucket

UP系列派拿双颚瓣抓斗造型新颖、结构合理、抓取物料重量与抓斗自重之比达到1.5~1.92，充满度达到95%~100%是最小粒度松散物的理想抓具。与传统的普通四绳抓斗相比较有以下特点：下承梁架构缩短、强度高、自重轻；主要铰点的衬套材质为轴承钢。延长使用寿命4~5倍，刃口板采用专用耐磨板材，增强了冲击力和摩擦度，滑轮上采用多层密封工艺，防尘防水可以水下作业，刃口板合缝间隙小，可达到0.3mm~1mm能保持作业场所清洁，整体结构不易变形不错口，本类型抓斗可设计为双绳。

UP series paina with double jaw plate grab bucket is modelling novel, reasonable structure, grab materials weight and grab dead weight than only to 1.5 ~ 1.92, full of degree is UP to 95% ~ 100% is minimal granularity of loose materials ideal catch to provide. And the traditional ordinary four rope compared to grab has the following characteristics: the next bearing beam architecture is shortened, and the good strength and light weight; Main hinge point of liner material for bearing steel. Prolonging the service life of the 4 ~ 5 times, and the blade plate adopts the wear-resisting materials which enhance the impact and friction level, the pulley multi-layer seal process, dustproof, waterproof can underwater operations, the blade plate together gap clearance small, can achieve 0.3 mm ~ 1 mm can keep clean, the hole structure the work place have strong shape not easily dislocation, this type of grab can design for double rope.



四绳派拿抓斗技术参数

/Four Rope Paina Grab Bucket Technology Parameters

型号 Model	配用 起重 吨位 Capacity t	容积 Volume m³	散货 自坡 角 Bulk cargo slope °	抓斗 水平 容积 grab volume level m³	散货 堆积 密度 The rate of bulk grain t/m³	散货 粒度 至 Bulk grain size mm	抓斗 自重 Grab self weight t	滑轮 倍率 The rate W pulley	滑轮 直径 The Dia of pulley mm	钢丝绳 直径 The dia of steel rope mm	抓斗 闭合 高度 Closed height H mm	抓斗 张开 高度 Opened height H mm	抓斗 闭合 长度 Closed length A mm	抓斗 张开 长度 Opened length B mm	抓斗 宽度 Grab width C mm
UP0536	5	3.6	40°	1.6	0.8	30	2.2	3	φ315	φ16	2630	2960	2150	2920	2190
UP0860	8	6.0	40°	2.6	0.8	30	3.2	3	φ400	φ20	3180	3610	2560	3455	2590
UP1077	10	7.7	40°	3.4	0.8	30	3.8	3	φ450	φ22	3450	3940	2770	3740	2805
UP1612	16	12.5	40°	5.5	0.8	30	6.1	3	φ560	φ26	4060	4660	3250	4390	3290
UP2014	20	14.2	40°	6.2	0.8	30	8.7	3	φ630	φ28	4430	5040	3420	4590	3440
UP2519	25	19	40°	8.3	0.8	30	9.8	3	φ630	φ32	4670	5400	3760	5060	3790
UP3222	32	22.5	40°	9.8	0.8	30	14	3	φ710	φ36	5040	5760	3980	5340	4000
UP4028	40	28	40°	12.2	0.8	30	17.6	3	φ800	φ40	5510	6330	4280	5720	4290
UP5035	50	35.5	40°	15.5	0.8	30	21.5	3	φ900	φ44	6040	6890	4630	6220	4660
UP6345	63	45	40°	19.6	0.8	30	27	3	φ1000	φ48	6560	7520	5000	6710	5030
UP0530	5	3	40°	1.3	1.0	30	2.1	3	φ315	φ16	2550	2860	2030	2750	2060
UP0849	8	4.9	40°	2.1	1.0	30	3.1	3	φ400	φ20	3060	3460	2400	3210	2405
UP1063	10	6.3	40°	2.7	1.0	30	3.8	3	φ450	φ22	3320	3780	2590	3490	2615
UP1610	16	10	40°	4.4	1.0	30	5.9	3	φ560	φ26	3900	4450	3010	4080	3060

四绳派拿抓斗技术参数

/Four Rope Paina Grab Bucket Technology Parameters

型号 Model	配用 起重 吨位 Capacity t	容积 Volume m³	散货 自坡 角 Bulk cargo slope °	抓斗 水平 容积 grab volume level m³	散货 堆积 密度 The rate of bulk grain t/m³	散货 粒度 至 Bulk grain size mm	抓斗 自重 Grab self weight t	滑轮 倍率 The rate of pulley	滑轮 直径 The Dia of pulley mm	钢丝绳 直径 The dia of steel rope mm	抓斗 闭合 高度 Closed height H mm	抓斗 张开 高度 Opened height H mm	抓斗 闭合 长度 Closed length A mm	抓斗 张开 长度 Opened length B mm	抓斗 宽度 Grab width C mm
UP2012	20	12	40°	5.2	1.0	30	8.0	3	φ630	φ28	4300	4860	3240	4340	3250
UP2515	25	15.8	40°	6.9	1.0	30	9.2	3	φ630	φ32	4520	5170	3530	4760	3570
UP3218	32	18.8	40°	8.2	1.0	30	13.2	3	φ710	φ36	4890	5550	3770	5030	3770
UP4023	40	23.6	40°	10.3	1.0	30	16.4	3	φ800	φ40	5350	6090	4050	5420	4060
UP5030	50	30	40°	13.1	1.0	30	20	3	φ900	φ44	5860	6650	4400	5860	4390
UP6338	63	37.8	40°	16.5	1.0	30	25.2	3	φ1000	φ48	6380	7250	4730	6340	4750
UP0525	5	2.5	35°	1.2	1.25	30	2.1	4	φ315	φ16	2470	2850	2070	2615	1830
UP0841	8	4.1	35°	2.0	1.25	30	3.1	4	φ400	φ20	3000	3470	2440	3095	2165
UP1052	10	5.2	35°	2.5	1.25	30	3.7	4	φ450	φ22	3240	3770	2630	3330	2330
UP1683	16	8.3	35°	4.0	1.25	30	5.8	4	φ560	φ26	3810	4430	3060	3895	2725
UP2095	20	9.5	35°	4.6	1.25	30	8.2	4	φ630	φ28	4170	4820	3240	4070	2845
UP2512	25	12.5	35°	6.0	1.25	30	9.3	4	φ630	φ32	4350	5090	3550	4420	3090
UP3215	32	15	35°	7.2	1.25	30	13.1	4	φ710	φ36	4700	5500	3770	4730	3310
UP4019	40	19.5	35°	9.4	1.25	30	16.2	4	φ800	φ40	5210	6070	4100	5150	3600
UP5024	50	24.5	35°	11.9	1.25	30	20	4	φ900	φ44	5740	6630	4430	5630	3940
UP6331	63	31	35°	14.9	1.25	30	24.9	4	φ1000	φ48	6200	7220	4800	6000	4195
UP0520	5	2.0	30°	1.1	1.6	30	1.9	4	φ315	φ16	2360	2790	2030	2395	1675
UP0833	8	3.3	30°	1.7	1.6	30	2.9	4	φ400	φ20	2880	3390	2380	2840	1985
UP1041	10	4.1	30°	2.4	1.6	30	3.5	4	φ450	φ22	3085	3660	2570	3040	2125
UP1667	16	6.7	30°	3.5	1.6	30	5.4	4	φ560	φ26	3650	4320	3020	3585	2510
UP2078	20	7.8	30°	4.1	1.6	30	8.0	4	φ630	φ28	4010	4710	3200	3750	2625
UP2510	25	10	30°	5.4	1.6	30	9.0	4	φ630	φ32	4180	4980	3470	4090	2860
UP3212	32	12.2	30°	6.4	1.6	30	12.8	4	φ710	φ36	4550	5490	3700	4370	3060
UP4015	40	15.3	30°	8.1	1.6	30	15.8	4	φ800	φ40	4970	5900	4000	4680	3275
UP5019	50	19.3	30°	10.2	1.6	30	19.5	4	φ900	φ44	5480	6430	4310	5110	3570
UP6324	63	24.6	30°	13.0	1.6	30	24.2	4	φ1000	φ48	5960	7050	4670	5520	3860
UP0516	5	1.6	27.5°	0.9	2.0	30	2.2	4	φ315	φ16	2280	2690	1930	2220	1555
UP0826	8	2.6	27.5°	1.4	2.0	30	3.2	4	φ400	φ20	2790	3260	2260	2660	1860

双绳抓斗 / Double Rope Grab Bucket



四绳派拿抓斗技术参数

/Four Rope Paina Grab Bucket Technology Parameters

型号 Model	配用 起重机吨位 Capacity	容积 Volume m ³	散货 自坡角 Bulk cargo slope	抓斗 水容积 grab volume level m ³	散货 堆密度 The rate of bulk gran tm ³	散货 粒度至 Bulk gran size mm	抓斗 自重 Grab self weight t	滑轮 倍率 The rate of pulley	滑轮 直径 The Dia. of pulley mm	钢丝绳 直径 The dia. of steel rope mm	抓斗 高度 Closed height mm	抓斗 张高度 Opened height mm	抓斗 合长度 Closed length A mm	抓斗 张长度 Opened length E mm	抓斗 宽度 Grab width C mm
UP1033	10	3.3	27.5°	1.8	2.0	30	3.8	4	φ460	φ22	3000	3540	2440	2870	2010
UP165.5	16	5.5	27.5°	3.1	2.0	30	5.6	4	φ560	φ26	3540	4200	2900	3360	2350
UP2065	20	6.5	27.5°	3.6	2.0	30	7.5	4	φ630	φ28	3910	4600	3070	3560	2490
UP2583	25	8.3	27.5°	4.6	2.0	30	9.0	4	φ630	φ32	4040	4830	3350	3830	2680
UP3210	32	10	27.5°	5.6	2.0	30	12.8	4	φ710	φ36	4400	5200	3590	4070	2850
UP4012	40	12.6	27.5°	7.0	2.0	30	15.5	4	φ800	φ40	4830	5720	3850	4400	3080
UP5016	50	16	27.5°	8.9	2.0	30	19	4	φ900	φ44	5320	6260	4160	4800	3360
UP6320	63	20.5	27.5°	11.4	2.0	30	23	4	φ1000	φ48	5780	6850	4520	5180	3620
UP0513	5	1.3	25°	0.7	2.5	30	2.1	5	φ315	φ16	2210	2610	1870	2110	1370
UP0822	8	2.2	25°	1.3	2.5	30	3.2	5	φ400	φ20	2710	3210	2230	2530	1645
UP1027	10	2.7	25°	1.6	2.5	30	3.8	5	φ460	φ22	2920	3490	2400	2710	1760
UP1644	16	4.4	25°	2.6	2.5	30	5.6	5	φ560	φ26	3440	4110	2840	3170	2060
UP2050	20	5	25°	2.9	2.5	30	8.0	5	φ630	φ28	3790	4490	2970	3330	2160
UP2565	25	6.5	25°	3.8	2.5	30	9.0	5	φ630	φ32	3950	4730	3250	3640	2365
UP3280	32	8.0	25°	4.7	2.5	30	12.8	5	φ710	φ36	4270	5100	3490	3860	2510
UP4010	40	10.2	25°	5.9	2.5	30	15.5	5	φ800	φ40	4730	5640	3770	4200	2730
UP5013	50	13	25°	7.6	2.5	30	18.6	5	φ900	φ44	5200	6160	4110	4560	2960
UP6316	63	16.5	25°	9.5	2.5	30	22	5	φ1000	φ48	5640	6730	4440	4890	3180
UP0510	5	1.0	22.5°	0.6	3.2	60	2.2	5	φ315	φ16	2160	2590	1840	2000	1200
UP0816	8	1.6	22.5°	1.0	3.2	60	3.3	5	φ400	φ20	2620	3120	2150	2325	1395
UP1020	10	2.0	22.5°	1.2	3.2	60	3.8	5	φ460	φ22	2810	3370	2320	2500	1500
UP1633	16	3.3	22.5°	2.0	3.2	60	5.6	5	φ560	φ26	3320	3980	2720	2920	1750
UP2040	20	4.0	22.5°	2.4	3.2	60	7.6	5	φ630	φ28	3690	4410	2930	3130	1875
UP2550	25	5.0	22.5°	3.1	3.2	60	8.6	5	φ630	φ32	3800	4600	3170	3360	2015
UP3263	32	6.3	22.5°	3.8	3.2	60	12.2	5	φ710	φ36	4180	5020	3410	3640	2180
UP4080	40	8.0	22.5°	4.9	3.2	60	15	5	φ800	φ40	4600	5510	3700	3940	2360
UP5010	50	10	22.5°	6.1	3.2	60	18.8	5	φ900	φ44	5030	6000	3980	4240	2540
UP6312	63	12.5	22.5°	7.6	3.2	60	22	5	φ1000	φ48	5470	6530	4300	4560	2735

双绳抓斗工作原理/Double rope grab Working Principle

双绳抓斗适用于有双起升装置结构(单根绳)的各类起重机,多使用与港口、码头、建筑路桥等行业。根据物料特性可配用轻型、中型、重型、超重型。适用抓取各类松散堆积物。

在各类起重机上,配有两组电机卷筒(即电动葫芦),每组卷筒引出一根钢丝绳,其中一根钢丝绳在抓斗平衡架两端做支持用,另一根钢丝绳经过上横梁的滑轮与下横梁的滑轮。组成滑轮组,起开闭斗部作用。

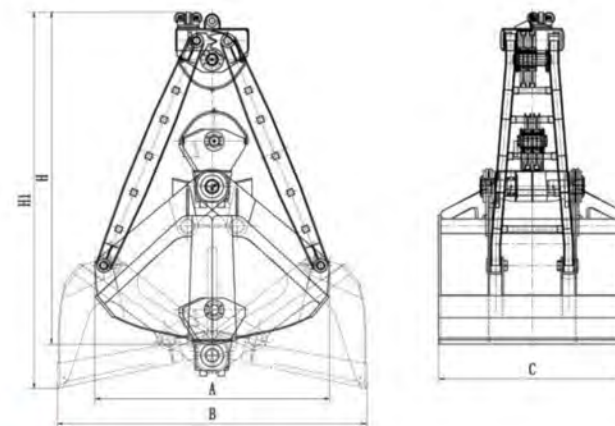
工作开始时,支持钢丝绳将斗部起吊在适当的位置上,然后放下开闭钢丝绳,这时靠下横梁的自重迫使斗部以下横梁大轴为中心将斗部打开,当斗部开至两耳板的碰块相撞时,即斗部打开到最大极限。开斗时,上横梁滑轮和下横梁滑轮中心距加大,然后支持钢丝绳落下,将已经打开的抓斗,落在要抓取的松散堆积物上面,再收绕开闭钢丝绳,将上横梁滑轮与下横梁滑轮的中心恢复到原来的位置,这样就完成了抓取物料的过程。在闭合的斗部里装满了物料,最后提升开闭钢丝绳,整个抓斗亦被吊起,经行车移动到所需卸料场地上,开斗卸下所抓取的物料。

Double rope grab suitable for double hoisting device structure (single ropes) of all kinds of crane, almost use in port and dock, construction bridge, etc. According to the material properties can be used for light, medium, heavy and super-heavy. For capturing all kinds of loose debris.

Double rope grab working principle

In all kinds of crane, with two groups of motor drum (the electric hoist), each group of motor drum leads one wire rope, one wire rope in balance frame for supporting, and the other rope pass the up beam pulley and the down beam pulley, composite a pulley block as opening and closing the grab bucket.

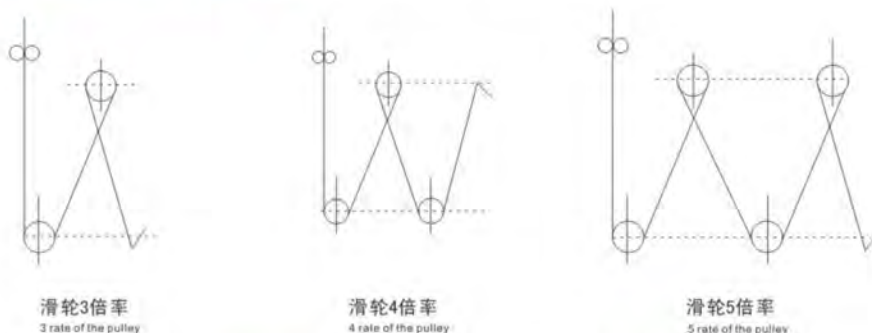
Work began, support wire rope will lift the grab bucket in well place, and then shut down the support rope, rely on the dead weight of the down beam forced the down beam big shaft as center open the grab body. when the two ear plates touch piece smash together, the grab body part open maximum. when opening the grab bucket, the up beam pulley and down beam pulley's center distance increase, and then the support rope put down, the opened grab bucket fall on the captured materials above, and packed around the open and close rope, the up beam pulley and the down beam pulleys' center distance return to its original position, thus completing the capture the grab materials process. In the last, lifting open and close rope and support rope at the same time, the whole grab bucket is lifted, according to the crane, move the grab bucket to the discharge yard, unloading the materials.



双绳抓斗技术参数/Double rope grab Technology Parameters

型号	容量	类型	物料比重	抓取容量	滑轮倍率	开闭绳数	支持绳数	钢丝绳直径	滑轮直径	钢丝绳重量	抓斗自重	抓斗闭斗高度	抓斗开斗高度	抓斗闭斗长度	抓斗开斗长度	抓斗宽度
Model	Capacity	Type	The material ratio	Capturing capacity	The ratio of pulley	Open and close rope No.	Support rope No.	The steel wire rope dia.	The dia. of pulley	Weight of rope	Grab weight	Height for close	Height for open	Length for close	Length for open	Width
S0307	0.75	中	≤1.7	1.27	3	1	1	φ13	φ260	3	1.15	2246	2620	1680	2175	1060
S0510	1	重	≤2.0	2	5	1	1	φ16	φ360	5	2.1	2520	2850	2100	2500	1100
S0512	1.2	重	≤2.5	3	5	1	1	φ20	φ445	5	2.3	2597	2877	1800	2550	1500
S0515	1.5	中	≤1.6	2.4	4	1	1	φ18	φ400	5	1.95	2750	3020	1980	2800	1250
S0520	2	中	≤1.5	3	3	1	1	φ20	φ445	5	2.2	2818	3248	2100	2780	1550
S0525	2.5	轻	≤1.0	2.5	4	1	1	φ21.5	φ445	5	2.3	2835	3309	2300	3000	1500
S0530	3	轻	≤1.0	3	4	1	1	φ24	φ445	5	2.3	2706	3257	2400	3100	1600
S0825	2.5	重	≤2.0	5	4	1	1	φ28	φ560	8	3.3	3020	3520	2220	2800	1480
S1023	2.3	重	≤2.5	5.75	5	1	1	φ28	φ650	10	3.8	3360	3830	2400	3160	1600
S1025	2.5	重	≤2.0	5	5	1	1	φ28	φ650	10	4.3	3360	3830	2400	3160	1700
S1030	3.0	中	≤2.0	6	5	1	1	φ28	φ560	10	4.0	3362	3810	2380	3140	1800
S1050	5.0	轻	≤1.0	5	5	1	1	φ28	φ560	10	4.2	3300	3810	2400	3450	2100
S1060	6.0	轻	≤0.9	5.4	4	1	1	φ28	φ560	10	4.3	3398	3880	2700	3800	2200
S1225	2.5	重	≤2.5	6.25	4	1	1	φ28	φ560	12.5	5.2	3472	4160	2800	3600	1600
S1635	3.5	重	≤2.6	9.1	5	1	1	φ32	φ720	16	6.5	3810	4206	2500	3300	1800
S1670	7.0	轻	≤1.2	8.4	3	1	1	φ28	φ650	16	7	3938	4673	3200	4000	2500
S2035	3.5	重	≤2.3	8	5	1	1	φ28	φ650	20	12	4126	5020	3420	4640	1560
S2050	5.0	重	≤2.2	11	5	1	1	φ32	φ650	20	7.5	4088	4628	2800	3600	2300
S2560	6.0	重	≤2.8	17	5	1	1	φ34	φ720	25	8.5	4358	4800	2800	3720	2400
S2515	15	轻	≤0.9	13.5	3	1	1	φ32	φ720	25	10.5	4982	5676	3700	5000	3200
S3212	12	中	≤1.8	21.6	4	1	1	φ36	φ880	32	11	4603	5463	3740	4680	2800

双绳抓斗钢丝绳绕线示意图/Double Rope Grab Coiling Schemes



单绳悬挂抓斗 / Single Rope Grab Bucket

单绳抓斗适用于只有一个起升卷筒（单钩）的各类起重机上，其开闭机构新颖、装卸料时开闭自如，整机使用拆挂方便，适用水下陆上作业，进行抓取、堆积。

注：单绳抓斗无法空中张合，手拉式和遥控式可以实现空中打开。

Single rope grab is applicable to only a lifting drum (single hook) of all kinds of crane, the open and close institutions is novel, it is free to open or close for load and unload materials, The whole machine is easy to operate and it can be used for underwater and ground operations for material grabbing and transfers.

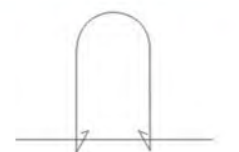
Note: This grab bucket can't open in the sky.



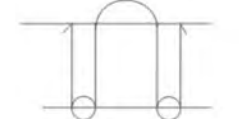
单绳抓斗工作原理 / Single Rope Grab Working Principle

单绳抓斗其开闭主要是弹性元件、滑架、锁钩等配合运动。抓料时，张开的抓斗降到物料上后，钢丝绳继续下降使滑架下滑，由于滑架上弹簧的作用，使爪子口在钩上，司机起升滑架使下横梁上升，颚板闭合。卸料时，满载都被送到卸料场地的堆料或地面时，钢丝绳继续下降，使滑架下滑一段距离，钩口对爪子的压力立即失去，在头部上压弹簧的作用下，爪子旋转脱离钩口，司机再度起升，在下横梁和物料自重的作用下逐渐使颚张开。

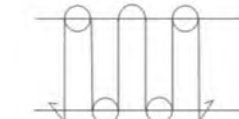
Single rope grab bucket opening and closing is mainly elastic elements carriage and lock with exercise etc. During grabbing materials, the open grab will fall upon materials, the steel cable drops to make sliding mechanism slide down, due to the effect of springs mechanism, the grab catches the hook, then the driver lifts the sliding mechanism to lift lower separator and close jaw. During unloading materials, the filled grab is transferred to material accumulation or above ground, the steel cable drops to make the sliding mechanism fall for a distance, and pressure on grab from hook will disappear, due to the effect of spring on head, the grab will turn to go off hook, the driver re-lifts and the jaw will open due to effects of lower separator and material dead load.



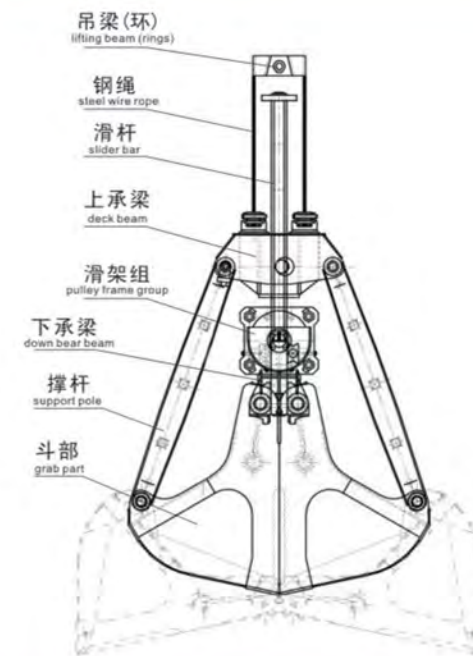
滑轮1倍率
1 rate of the pulley



滑轮2倍率
2 rate of the pulley



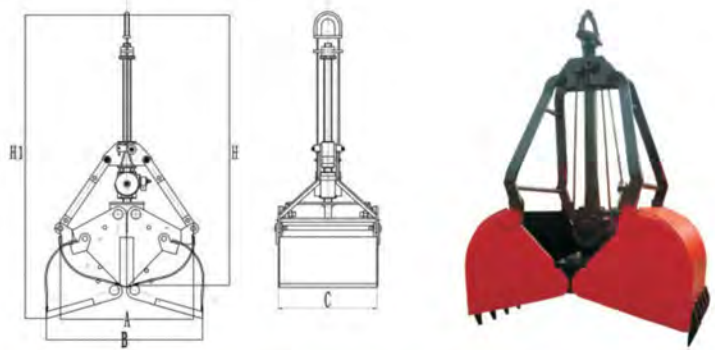
滑轮3倍率
3 rate of the pulley



单绳悬挂抓斗技术参数 / Single Rope Grab Technology Parameters



型号	容积	类型	物料比重	滑轮倍率	滑轮直径	钢丝绳直径	抓斗自重	配用起重吨位	抓斗闭合高度	抓斗张开高度	抓斗闭合长度	抓斗张开长度	抓斗宽度	备注
Model	Volume m ³	Type	The rate of material t/m ³	The rate of pulley	The Dia. of pulley mm	The dia. of steel rope mm	Grab self weight t	Working Capacity t	Closed height H mm	Opened height H1 mm	Closed length A mm	Opened length B mm	Grab width C mm	Notes
U70	0.75	重	2.5	2	φ230	φ15	1.9	5	3470	4220	1860	2300	980	带齿
U71	0.3	重	2.0~2.5	2	φ200	φ13	1	3	2810	3520	1050	1600	750	带齿
U73	0.5	重	2.0~2.5	2	φ230	φ15	1.5	3~5	3071	3800	1460	2000	900	带齿
U74	0.75	重	3.2	2	φ230	φ15	2.3	5	3470	4220	1830	2300	980	带齿
U75	0.75	重	3.0	2	φ250	φ15	2.1	5	3160	3830	1650	2070	850	
U77	1	重	2.3	2	φ250	φ16	2.3	5	3810	4560	1800	2100	1160	
U79	1.5	重	2.8	2	φ250	φ21	3.1	8	4120	4720	1950	2400	1200	
U64	2	重	2.5	2	φ300	φ21	5.5	10	4345	5830	2400	3200	1400	
U65	1.25	重	3.2	2	φ300	φ21	4.25	10	4075	5790	2280	2650	1300	
U80	9	轻	0.5~1.2	2	φ400	φ23.5	6.2	15	6200	8130	3350	4200	1990	
U82	15	轻	1.0	2	φ460	φ28	10.3	25	8000	12000	4000	5800	2500	
AS8-2.5	2.5	中	1.8	3	φ445	φ21	3.5	8	4248	9200	2240	3000	1500	
SL15-6	6	中	1.3	3	φ445	φ28	6.2	15	4370	10600	2970	3650	2000	手动拉开
AS20-7	7	中	1.5	3	φ445	φ32	7.8	20	4820	11500	2970	3770	2200	
AS23-8.5	8.5	中	1.5	3	φ650	φ32	8.8	23	5310	13000	3370	4200	2200	
AS26-8	8	中	2.0	3	φ720	φ36	9.6	25	4923	13000	3300	4200	2200	



型号	容积	类型	物料比重	滑轮倍率	滑轮直径	钢丝绳直径	抓斗自重	配用起重吨位	抓斗闭合高度	抓斗张开高度	抓斗闭合长度	抓斗张开长度	抓斗宽度	备注
Model	Volume m ³	Type	The rate of material t/m ³	The rate of pulley	The Dia. of pulley mm	The dia. of steel rope mm	Grab self weight t	Working Capacity t	Closed height H mm	Opened height H1 mm	Closed length A mm	Opened length B mm	Grab width C mm	Notes
X3	0.35	中	0.6~1.6	2	φ170	φ11	0.66	2	1855	3495	1005	1200	750	
X5	0.5	轻	0.6~1.2	2	φ200	φ11	0.88	2-3	1980	3678	1100	1470	830	
XZ5	0.5	中	1.1~2.0	2	φ200	φ13	1.2	3	1980	3678	1100	1470	835	带齿
XCZ5	0.5	重	2.0~2.5	2	φ200	φ15	1.4	3	2166	3746	1100	1470	850	带齿
X7	0.75	轻	0.6~1.2	2	φ200	φ13	1.1	3	1980	3678	1100	1470	1235	
XZ7	0.75	中	0.8~1.6	2	φ200	φ15	1.3	3	2166	3746	1100	1470	1235	带齿
XCZ7	0.75	重	1.2~2.0	2	φ220	φ15	1.7	5	2803	4380	1460	1700	1150	带齿
XCZZ7	0.75	超重	2.0~2.8	2	φ220	φ15	2.04	5	2865	4620	1460	1700	1150	带齿
X10	1	轻	0.6~1.2	2	φ200	φ15	1.5	5	2803	4420	1460	1700	1250	
XZ10	1	重	1.2~2.0	2	φ200	φ15	2	5	2865	4620	1460	1700	1300	带齿
X15	1.5	轻	0.6~1.2	2	φ260	φ15	1.9	5	3520	4760	1650	2500	1300	
XZ15	1.5	中	1.2~2.0	2	φ260	φ15	2.5	5	3520	4760	1650	2500	1350	带齿
XCZ15	1.5	重	2.0~3.0	2	φ300	φ17.5	3.8	10	3880	4940	1900	2600	1380	带齿
X20	2.0	中	1.2~2.0	2	φ260	φ17.5	2.8	8	4000	5760	1800	2700	1600	带齿
XZ20	2.0	重	2~3	2	φ300	φ19.5	3.9	10	4285	5830	2530	2820	1400	带齿
X30	3	中	1.1~1.8	2	φ350	φ21.5	4.3	10	4440	6230	2500	1400	970	
XZ30	3	重	2~3	2	φ350	φ23.5	6.5	15	4520	6510	2500	1400	970	带齿

电动液压多瓣抓斗

/Electric Hydraulic Mutivalve Grab Bucket



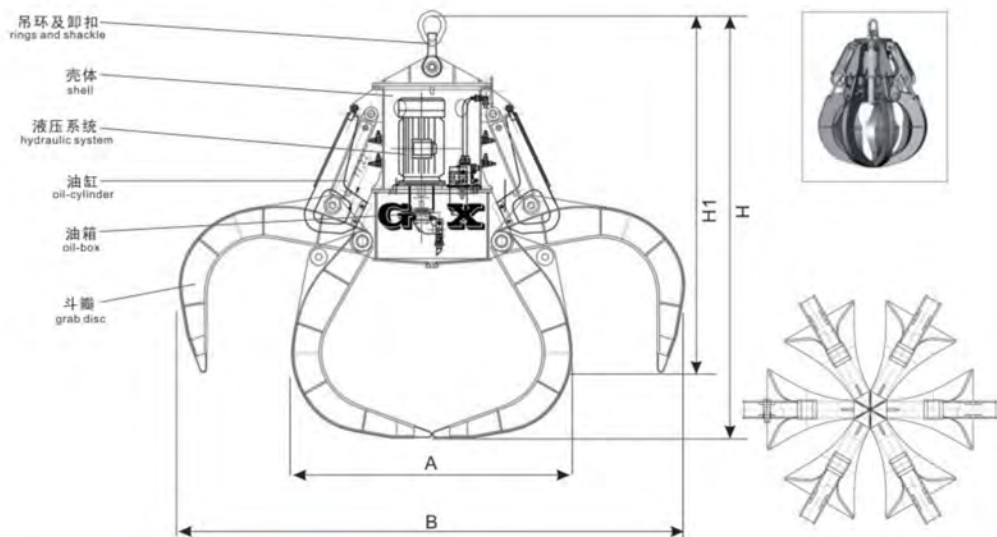
DYZ型电动液压多瓣抓斗与DY型电动液压双瓣抓斗是我公司引进欧美的制造技术，按照欧美的系统技术资料，主要液压元件装置欧美进口，综合采用了先进的电气液压机械技术，抓取力大，自动化程度高，是大块矿石、生铁块、废钢、垃圾、铁粉、秸秆、矿渣等物料的理想装卸工具。其主要适用于钢铁、矿山、林场、煤矿、海港码头、废钢收购、垃圾处理、生物发电等行业。

本产品结构紧凑，造型美观，节约能源及操作简便，根据不同的行业和使用场合及抓取物料的不同选型分为，抓爪分为多瓣式和两瓣式。（多瓣分为圆形和矩形，斗爪有封闭形、半开形和开形）

DY model electric hydraulic mutivalve grab and DY model electric hydraulic double disc grab are our company introduces the Europe and America manufacturing technology, according to the German system technology material, the hydraulic element device, the original import from Europe and America, the comprehensive use of advanced electric hydraulic machinery technology, grasping force big, high automation, is large, pig iron castings, ore to scrap the acquisition, garbage, iron powder, straw, slag material such as ideal tool loading and unloading. The steel mill, mining, mainly is for forest, coal mine, harbor wharf, scrap steel acquisition, garbage disposal, biological energy industry and so on.

The product structure is compact, beautiful modelling, save energy and easy operation, according to the different industries and the usage situation and grab materials are divided into different selection, catch a claw is divided into many disc type and two disc type. (more disc is round and rectangular, grab claw have closed form, half open and all open form)

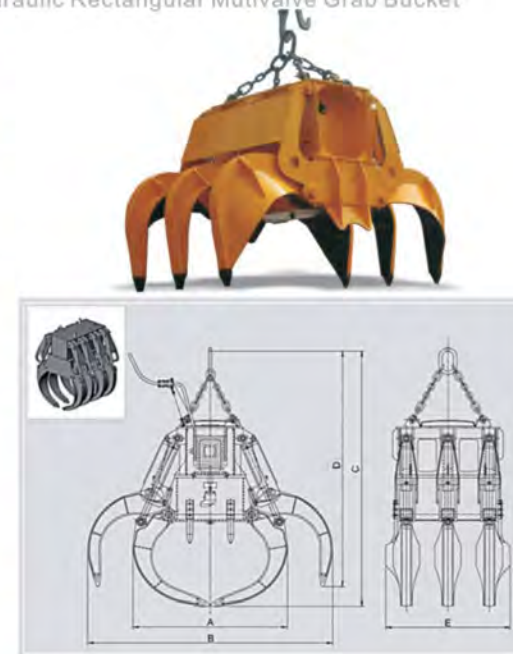




电动液压多瓣抓斗技术参数 / Electric Hydraulic Mutivalve Grab Technology Parameters

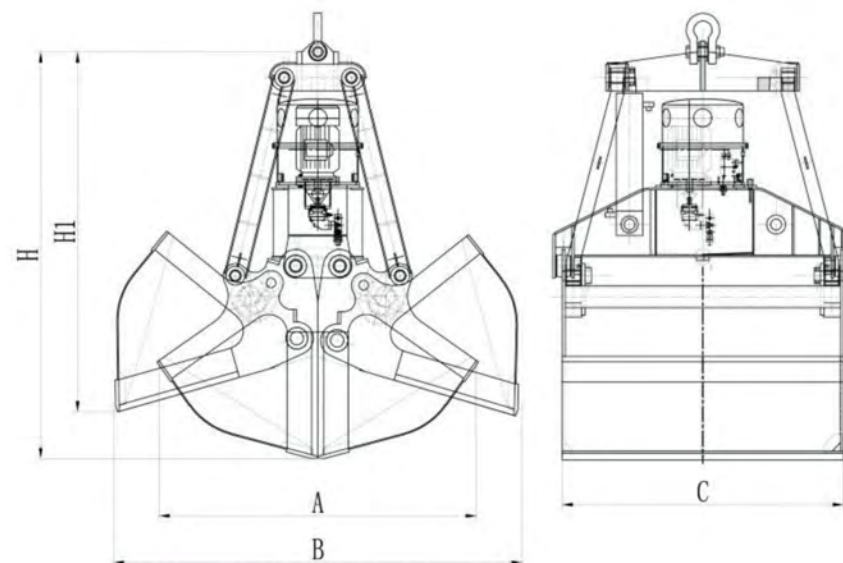
型号 Model	容积 Volume m ³	自重 Grab self weight t	配用起重 机吨位 using crane ton	电动机 功率 Motor Power kw	工作 压力 Operating Pressure bar	闭合 时间 close time s	抓斗外形尺寸 Image and size mm			
							H	H1	A	B
DY23[0.5]1.5	0.5	1.5	3.2	11	180	10	2180	1880	1570	2160
DY23[0.6]1.6	0.6	1.7	3.2	11	180	11	2190	1900	1600	2220
DY25[0.8]2.0	0.8	2.0	5	15	180	13	2380	1980	1700	2480
DY25[1.0]2.5	1.0	2.5	5	15	180	14	2410	2070	1800	2700
DY210[2.0]4.2	2	4.2	10	22	200	16	3330	2820	2220	3400
DY25[2.5]2.6	2.5	2.6	5	18.5	180	17	3214	2895	2247	3572
DY210[3.0]3.8	3.0	3.8	10	18.5	180	20	3214	2876	2500	3680
DY210[5.5]4.3	5.0	4.3	10	22	200	19	3720	3295	3000	4400
DY216[2.5]5.5	2.5	5.5	16	30	200	16	3690	3127	2420	3600
DY216[8.0]5.6	8.0	5.6	16	30	200	19	3930	3294	3460	5280
DY220[4.0]7	4.0	7	20	37	200	17	3820	3310	2680	4200
DY220[12]8	12	8	20	37	200	25	4560	4100	3900	5500
DY225[17]9	17	9	25	45	200	26	4780	4400	4200	6000
DY230[20]11	20	11	30	45	200	28	4889	4550	4400	6300

电动液压矩形多瓣抓斗 / Electric Hydraulic Rectangular Mutivalve Grab Bucket



型号 Model	斗容 Volume m ³	抓斗外形尺寸 Image and size mm					自重 Grab self weight kg	电动机功率 Motor power		闭合 时间 close time s	工作 压力 Operating Pressure bar	额定 起重 重量 crane lifting capacity t
		A	B	C	D	E		380v50Hz kw	440v60Hz kw			
DYJ12[2.0]6	2.0	2049	3242	3500	3278	1650	5000	37	43	15	200	12
DYJ16[2.5]6	2.5	2060	3300	3500	3298	1850	6000	37	43	18	200	16
DYJ20[3.2]6.5	3.2	2500	4280	3760	3200	1850	6500	37	43	18	200	20
DYJ25[5]7.5	5.0	2840	4349	3850	3497	1950	7500	45	52	20	200	25
DYJ32[5.5]8.5	5.5	3020	4807	4125	3597	1950	8500	45	52	20	200	32
DYJ32[6]9.6	6.0	3150	5100	4200	3680	1950	9600	55	63	25	200	32
DYJ40[7]10.5	7.0	3350	5320	4380	3760	1950	10500	55	63	25	200	40

电动液压双瓣抓斗 / Electric Hydraulic Double Disc Grab Bucket



电动液压双瓣抓斗技术参数 / Electric Hydraulic Double Disc Grab Bucket Technology Parameters

型号 Model	斗容 Volume m³		自重 Grab self weight t	电动机 功率 Motor power 380v50Hz kw	工作 油压 Operating Pressure Mpa	抓斗 闭合时间 close time s	适用起重 机负荷 workload t	外形尺寸 Image and size mm					物料堆积 密度 Density t/m³
	充满 Full	溢料 Spill	t	kw	Mpa	S	t	H	H1	A	B	C	t/m³
DY8-12	4.5	2.5	3.7	18.5	20	13	8	2950	2700	2300	3000	2400	0.9~1.6
DY10-12	5.5	3.5	4.5	22.0	20	17	10	3150	2900	2550	3000	2500	0.9~1.6
DY15-12	7	4.5	5	22.0	20	18	15	3200	2950	2660	3400	2700	0.9~1.6
DY20-12	10	6.8	7	28.0	20	18	20	3700	3360	3050	3700	3200	0.9~1.6
DY25-12	12	8.1	9.3	37.0	25	18	25	3890	3500	3350	3820	3400	0.9~1.6
DY30-12	18	10	14.5	55.0	20	19	32	4400	4100	3400	4400	4000	0.9~1.6
DY8-23	3	1.9	3.2	18.5	20	13	8	2750	2700	2200	2700	2000	1.6~2.6
DY10-23	4	2.2	4.2	18.5	20	18	10	2800	2750	2200	2800	2200	1.6~2.6
DY15-23	6.5	4	5.6	22.0	20	17	15	3250	2900	2700	3300	2600	1.6~2.6
DY20-23	8	5.4	6.5	28.0	20	18	20	3500	3300	2950	3400	2950	1.6~2.6
DY25-23	10	6.9	8	37.0	20	18	25	3750	3400	3050	3700	3200	1.6~2.6
DY32-23	12.5	8	10.5	45.0	20	18	32	4100	3850	3300	4000	3600	1.6~2.6

四绳抓斗技术参数

/Four Rope Grab Bucket Technology Parameters

型号 Model	容积 Volume m ³	类型 Type	物料比重 The rate of material t/m ³	滑轮倍率 The rate of pulley	滑轮直径 The Dia. of pulley mm	钢丝绳直径 The dia. of steel rope mm	开闭时间 Open and close time sec	抓斗自重 Grab self weight t	配用起重吨位 Using crane tonnage	抓斗闭合高度 Closed height mm	抓斗张开高度 Opened height mm	抓斗闭合长度 Closed length A mm	抓斗张开长度 Opened length B mm	抓斗宽度 Grab width C mm	斗部水平高度 The bucket level height H mm	滑轮闭合行程 Closed distance of the pulley S mm	备注 Notes
U113	2.5	轻 Light	1	4	φ400	φ16	9	2.6	5	3135	3594	2200	3120	1550	800	1780	
U115	1.5	超重 over Heavy	>2.5-3.3	6	φ500	φ19.5	18	4.7	10	3490	3700	1960	2920	1416	650	1690	
U116	2	超重 over Heavy	>2.5-3.3	6	φ500	φ19.5	18	4.76	10	3570	4130	1960	2920	1416	730	1690	带齿 Filter
U119	2	重 Heavy	>1.8-2.5	6	φ500	φ19.5	17.9	4.8	10	3640	4240	2200	3220	1528	730	1800	
U119	2	重 Heavy	>1.8-2.5	6	φ500	φ19.5	17.9	4.9	10	3720	4450	2200	3220	1528	810	1800	带齿 Filter
U123	3	中 Middle	>1-1.7	5	φ500	φ19.5	16.5	4.8	10	3747	4297	2400	3430	1764	782	1910	
U124	3	中 Middle	>1-1.7	5	φ500	φ19.5	16.5	4.86	10	3827	4517	2400	3430	1764	862	1910	带齿 Filter
U127	5	轻 Light	1	3	φ500	φ19.5	11	4.8	10	3990	4675	2760	3800	2060	1000	2150	
U126	3	中 Middle	>1-1.7	5	φ500	φ19.5	16	4.96	10	3827	4376	2400	3430	1700	782	1910	平行大梁张牙 parallel girder open
U126A	3	中 Middle	>1-1.7	5	φ500	φ19.5	16	5	10	3827	4376	2400	3430	1700	782	1910	平行大梁张牙 带齿 Filter parallel girder open
U129	2.5	超重 over Heavy	>2.5-3.3	6	φ600	φ23.5	16	8.15	16	4285	4838	2350	3430	1628	780	1900	
U130	2.5	超重 over Heavy	>2.5-3.3	6	φ600	φ23.5	16	8.3	16	4385	5020	2350	3430	1628	880	1900	带齿 Filter
U133	3.2	重 Heavy	>1.7-2.5	6	φ600	φ23.5	16.2	8.0	16	4455	5125	2600	3750	1792	880	2000	
U134	3.2	重 Heavy	>1.7-2.5	6	φ600	φ23.5	16.2	8.15	16	4555	5345	2600	3750	1792	980	2000	带齿 Filter
U137	4.8	中 Middle	>1-1.7	5	φ600	φ23.5	14	7.99	16	4505	5243	2820	4050	2078	957	2240	
U138	4.8	中 Middle	>1-1.7	5	φ600	φ23.5	14	8.14	16	4605	5473	2820	4050	2078	1057	2240	带齿 Filter
U141	8	轻 Light	1	3	φ600	φ23.5	12	7.84	16	4775	5530	3200	4380	2350	1150	2325	
U143	3	超重 over Heavy	>2.5-3.3	6	φ700	φ28	18	9.78	20	4695	5335	2400	3800	1892	830	2140	
U144	3	超重 over Heavy	>2.5-3.3	6	φ700	φ28	18	9.9	20	4795	5615	2400	3800	1892	930	2140	带齿 Filter
U147	4	重 Heavy	>1.7-2.5	6	φ700	φ28	18.2	9.96	20	4795	5425	2900	4000	1892	970	2280	
U148	4	重 Heavy	>1.7-2.5	6	φ700	φ28	18.2	10.1	20	4895	5705	2900	4000	1892	1070	2280	带齿 Filter
U149	4	重 Heavy	>1.7-2.5	6	φ700	φ28	18.2	9.97	20	4795	5425	2900	4000	1892	970	2280	平行大梁张牙 parallel girder open
U151	6	中 Middle	>1-1.7	5	φ700	φ28	19	10.0	20	4955	5710	3200	4500	2288	1060	2420	
U152	6	中 Middle	>1-1.7	5	φ700	φ28	19	10.2	20	5050	5990	3200	4500	2280	1160	2420	带齿 Filter
U155	10	轻 Light	1	3	φ700	φ28	13	9.8	20	5215	6175	3500	5000	2478	1310	2560	
U163	4	重 Heavy	>1.7-2.5	6	φ700	φ32	18.2	9.96	20	4795	5425	2900	4000	1892	970	2280	

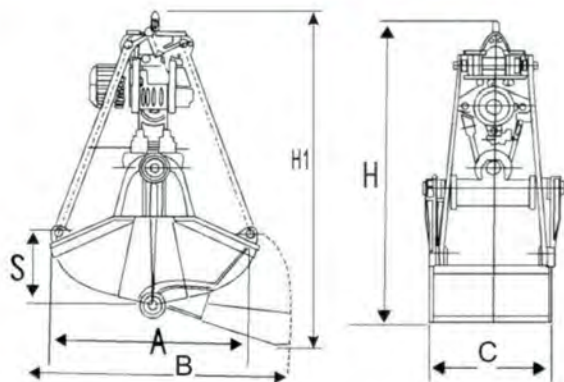
四绳派拿抓斗 / Four Rope Paina Grab Bucket



电动马达抓斗工作原理 / Electric Motor Grab Working Principle

电动马达抓斗本身带有闭合机构，它的样式繁多，我公司是把标准的电动葫芦或卷扬机装到抓斗上作为开闭机构。马达抓斗可以看作是闭合卷筒移到抓斗本身上去。由于马达抓斗在闭合时不再像四绳抓斗那样受闭合绳向上的拉力，抓斗自重全部起挖掘作用，因抓取能力大，最适用于抓取矿石等物料。

Electric motor grab with closed organization itself, The type is various, Our company equipped the standard motor hoist or winding engine on the grab bucket as open and close institutions. The motor grab can be regarded as a closed drum moved to grab itself. Since the motor grab is no longer like the four rope grab bucket which need, the up pull of the closing rope. The self-weight of the grab bucket as mining effect, so the capture force is bigger. It is suitable for capture the materials like ore ect..



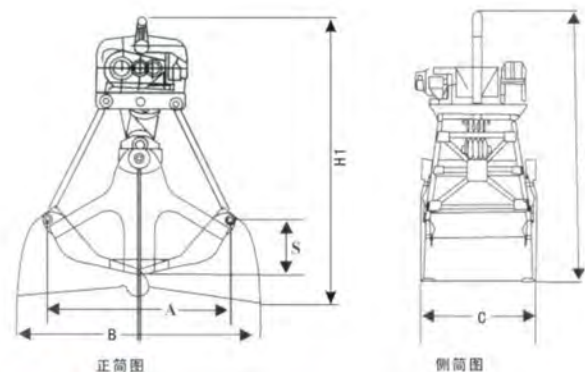
电动马达抓斗技术参数 / Electric Motor Grab Technology Parameters

型号 Model	容积 Volume m³	类型 Type	物料比重 The ratio of material ton/m³	抓取料重 Capturing the material t	滑轮倍率 The ratio of pulley	钢丝绳直径 The dia of steel rope mm	滑轮直径 The dia of pulley mm	功率 Power kw	抓斗自重 Grab weight ton	总自重 Total weight ton	抓斗总高 Total height H mm	抓斗张开高度 Opened height H1 mm	斗部尺寸 mm			最大张开尺寸 Max. open size mm
													A	C	S	
D3	0.3	重 Heavy	≤1.5	0.45	4	φ7.7	φ250	1.5	0.95	2	1850	2220	1200	750	360	1500
D5	0.5	重 Heavy	>1.6-2.4	0.8-1.2	4	φ11	φ250	3	1.29	3	2280	2530	1365	896	540	1970
D7	0.75	重 Heavy	>1.6-2.4	1.2-1.8	4	φ11	φ250	3	1.32	3	2385	2650	1630	950	570	2200
D10	1	中 Medium	>0.8-1.2	0.8-1.2	4	φ11	φ250	3	1.4	3	2620	2970	1900	1080	630	2600
D15	1.5	中 Medium	>0.8-1.2	0.8-1.2	4	φ13	φ250	4.5	1.52	5	2620	2970	1920	1178	780	2700
D20	2	中 Medium	>0.8-1.2	1.6-2.4	4	φ15	φ250	7.5	1.95	5	2830	3200	2000	1300	780	2900

电动马达抓斗 / Electric Motor Grab Bucket

电动马达抓斗常用于多用途的各类起重机上，自身带有开闭机构，可以在任何高处装卸物料。生产率高于单绳抓斗，使用拆挂方便，装卸功率高。适用于抓取各类松散物。使用本抓斗时根据起升高度增设输送能量的电缆卷线器。
注：本抓斗不能水下作业。

Electric motor grab are often used to utility of all kinds of crane with their own open and close institutions, can be load and unload material in any height. Productivity is higher than the single grab, easying to operation, loading and unloading power high. Apply to grab all kinds of loose materials. Using this grab, according to hoist height add the cable reel machine conveying energy.
Note: this grab can't operate underwater.



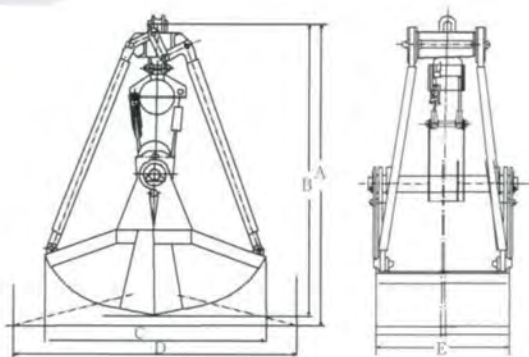
电动马达抓斗技术参数 / Electric Motor Grab Technology Parameters

型号 Model	容积 Volume m³	类型 Type	物料比重 The ratio of material ton/m³	抓取料重 Capturing the material t	滑轮倍率 The ratio of pulley	钢丝绳直径 The dia of steel rope mm	滑轮直径 The Dia of pulley mm	功率 Power kw	抓斗自重 Grab weight ton	总自重 Total weight ton	抓斗总高 Total height H mm	抓斗张开高度 Opened height H1 mm	抓斗闭合长度 Closed length A mm	抓斗张开长度 Opened length B mm	抓斗宽度 Grab width C mm	水平高度 Level Height S mm
ZD15	1.5	重 Heavy	≤2	3	5	φ15	φ350	15	2.9	5	3560	4145	1950	2800	1450	680
ZD20	2	重 Heavy	≤2	4	5	φ16	φ350	18.5	3.6	10	3870	4490	2300	3000	1400	720
ZD25	2.5	重 Heavy	≤2	5	5	φ15	φ400	22	4.4	10	4100	4800	2500	3100	1650	880
ZD30	3	中 Medium	≤1.2	3.6	5	φ16	φ400	22	4.68	10	4140	4860	2500	3200	1896	680
ZD60	6	轻 Light	≤1	6	5	φ16	φ400	22	5.6	15	4540	5190	2800	3700	2196	1050
ZD10	1	重 Heavy	≤2.5	2.5	4	φ15	φ350	11	2.8	5	3467	4052	2100	2600	1100	577
ZD50	5	轻 Light	≤1	5	4	φ17.5	φ400	22	4.1	10	4440	4720	2800	3700	2035	1000

电动不锈钢抓斗 / Electric Stainless Steel Grab Bucket

DBZ型抓斗专门为酿造行业设计，抓斗酿造曲料、酱类、酱造类等。使用DBZ型抓斗，即减轻了工人的劳动强度，又有利于生产车间清洁卫生。

DBZ grab is designed for brewing industry specifically type design, grab brewing song materials, soy sauce crumbs and so on, Using DBZ type grab bucket, you can't only reduce the labor intensity of the workers, but also good to production workshop clean sanitation.



电动不锈钢抓斗技术参数 / Electric Stainless Steel Grab Technology Parameters

型号 Model	类型 Type	起重 量 Crane tonnage t	物料 比重 The rate of material t/m³	自重 Dead weight t	容积 Volume m³	主 材 Main material	尺寸 Size mm				
							A	B	C	D	E
DBZ250	轻型 Light	1	0.9	0.7	0.3	不锈钢 Stainless Steel	1830	1650	1100	1500	700
DBZ400	轻型 Light	2	0.9	0.82	0.5	不锈钢 Stainless Steel	2080	1830	1200	1600	800
DBZ600	轻型 Light	2	0.9	0.95	0.75	不锈钢 Stainless Steel	2230	2020	1350	1800	1000
DBZ800	轻型 Light	3	0.9	1.2	1.0	不锈钢 Stainless Steel	2420	2240	1600	2200	1060
DBZ900	轻型 Light	3	0.9	1.4	1.5	不锈钢 Stainless Steel	2420	2240	1600	2200	1400

电动单轨抓斗起重机 / Electric Monorail Grab Crane

DZ12/DZ1/SZ1/301/201型电动单轨抓斗起重机

DZ12/201型短小车单轨抓斗起重机

DZ1/301型长小车单轨抓斗起重机

SZ1/301型长小车司机室操作单轨抓斗起重机

单轨抓斗起重机是一种自动运转抓取散货物料的整体经济型轻级抓斗起重机。其操作简单，自重轻，安装方便，结构合理，采用电动葫芦的工作装配原理做起升运行和抓斗开闭，悬挂在仅有架空单轨道工字梁上。适用于隧道、楼道、空间小、高度低，及设置地面轨道受限制的工作场合。也适用安装在单梁门式和单梁桥式起重机上配套安装。被广泛使用在车站、煤场、仓库、建筑、火电、垃圾处理、生物发电、洗煤、捞渣等诸多行业。

DZ12 / DZ1 / SZ1/301/201 model electric monorail grab crane

DZ12/201 type short car monorail grab crane

DZ1/301 type long car monorail grab crane

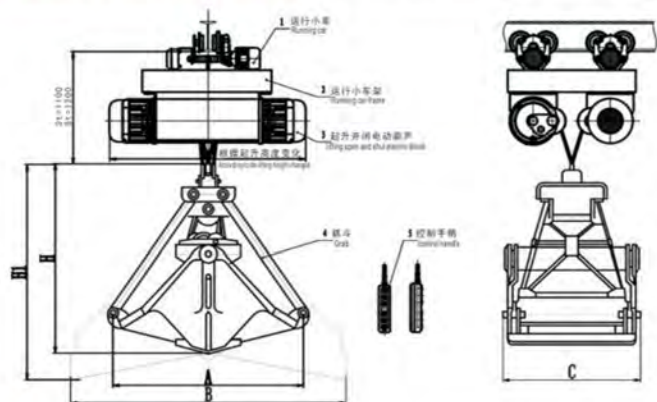
SZ1 / type 301 long car driver room operation monorail grab crane

Monorail grab crane is a working automatically grab the overall economy light bulk material level. Its simple operation grab crane, light weight, convenient installation. Reasonable structure, using electric hoist work principle of operation and start assembly/opening/closing, hanging on the single rail encountered only overhead beams. Apply to the tunnel, corridor, the space is little, highly the bottom, and set the ground track restricted condition can also be used for the occasion. Installed in the door type monorail and single girder crane supporting installation on. Are widely used at the station, the coal yard, warehouse, building, thermal power, garbage disposal, and biomass power, coal washing, remove slag, and many other industries.



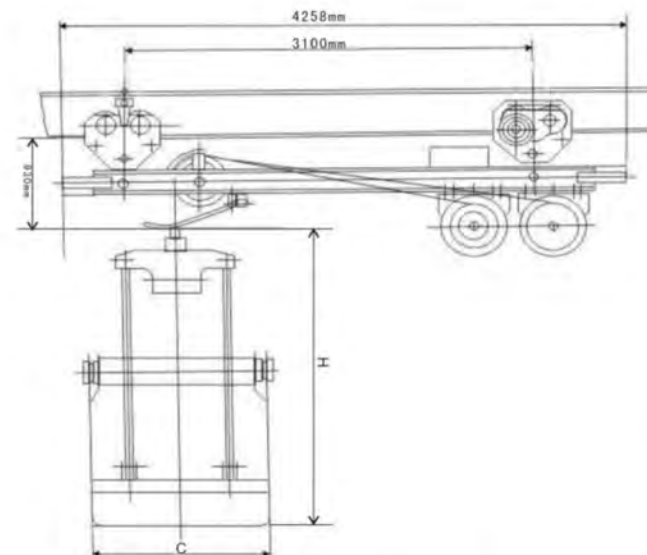


DZ12/201型短小车单轨抓斗起重机 / DZ12/201 type short car monorail grab crane

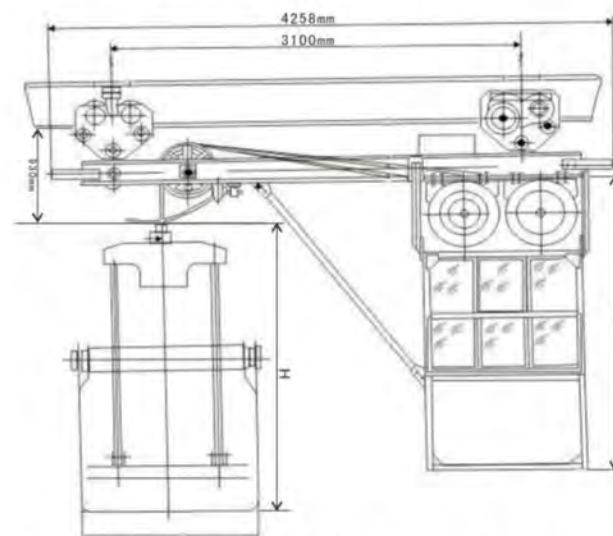
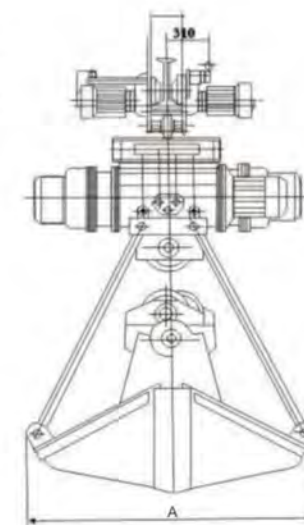


电动单轨抓斗技术参数 / Electric Monorail Grab Technology Parameters

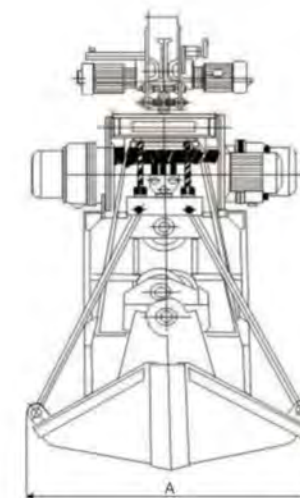
型号 Model	容积 Volume m ³	比重 Ratio t/m ³	滑轮直径 The dia of pulley mm	滑轮倍率 The ratio of pulley mm	钢丝绳直径 The dia of wire rope mm	起重量 Lifting capacity t	起升开闭功率 Power kW	起升速度 Hoisting speed m/min	运行功率 Hoist power kW	运行速度 Hoist speed m/min	抓斗外形尺寸 mm The grab dimension				
											H1	H	A	B	C
DZ12-1	0.5	1.0	φ300	4	φ13	3	2×4.5	16	2×0.4	20	2420	2080	1460	2000	930
DZ12-2	0.75	1.0	φ350	4	φ13	3	2×4.5	16	2×0.4	20	2740	2390	1700	2200	1060
DZ12-3	1.0	1.0	φ350	4	φ15	5	2×7.5	16	2×0.8	20	2910	2550	1850	2500	1170
DZ12-4	1.5	1.0	φ350	4	φ15	5	2×7.5	16	2×0.8	20	2970	2600	2000	2600	1350
201	0.75	0.6-1.2	φ250	4	φ13	3	2×4.5	16	2×0.4	20	2580	2250	1620	2220	1050
201-3	0.3	1.2-1.8	φ250	4	φ11	2	2×3.0	16	2×0.2	20	2110	1830	1100	1500	750
201-5	0.5	1.0	φ250	4	φ13	3	2×4.5	16	2×0.4	20	2460	2150	1360	1970	890
301	1.5	1.0	φ350	4	φ15	5	2×7.5	16	2×0.8	20	2820	2438	1954	2650	1270



301/DZ1型长小车单轨抓斗起重机
DZ1/301 type long car monorail grab crane



301/SZ1型长小车司机室操作式单轨抓斗起重机
SZ1 / type 301 long car driver room operation monorail grab crane

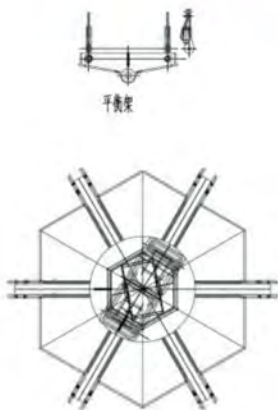
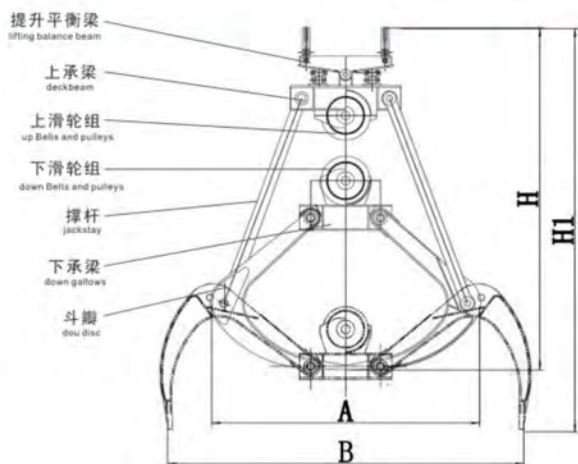


多瓣抓斗 / Many Disc Grab Bucket



多瓣抓斗适用于各种恶劣环境下高效从事废钢铁大块物料和垃圾物装卸，已在港口、铁路、冶金、矿山、建筑等行业广泛使用，其结构分为单绳、双绳、四绳、电动四种类型，颚瓣可根据物料的形状和大小分别闭合，有利于大块物料的抓取，颚瓣数量可根据抓取物料开头和用户需要设计四瓣至八瓣。

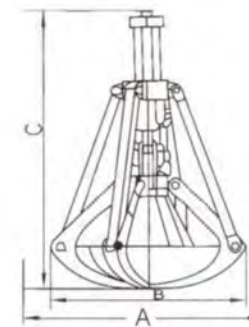
Many disc grab applicable to all kinds of harsh environment efficient iron scrape engaged in large block materials and rubbish loading and unloading, has widely used in the ports, railway, metallurgy, mining, building etc, its structure is divided into single cable, double cable, four cable electric, four types, jaw disc can respectively closed according to the material's shape and size, jaw disc quantity can be according to grab materials and users need to design four disc to eight disc.



四绳、双绳六瓣抓斗技术参数

/Four rope, two rope six-peel Grab Bucket Technology Parameters

型号 Model	额定起重 量吨位 using crane ton / t	容积 Volume m ³	散货堆 积密度至 The rate of material t/m ³	抓斗 自重 Grab self weight / t	滑轮 倍率 The rate of pulley	滑轮 直径 The Dia. of pulley mm	钢丝绳 直径 The dia. of steel rope mm	抓斗主要尺寸 mm Main size of the grab			
								A	B	H	H1
LS0305	3	0.5	>2.0	1.85	4	φ300	φ13	1780	2100	2150	2460
LS0507	5	0.75	>2.5	2.4	5	φ350	φ16	2000	2480	2380	2730
LS0510	5	1	>2.0	2.6	5	φ400	φ16	2200	2800	2690	3120
LS0515	5	1.5	>1.6	2.6	4	φ400	φ16	2400	3000	2760	3290
LS0530	5	3.0	>0.8	2.6	3	φ400	φ16	2700	3600	3100	3660
LS1015	10	1.5	>3.3	4.9	6	φ480	φ20	2560	3200	3100	4030
LS1020	10	2.0	>2.5	4.8	5	φ480	φ20	2620	3260	3480	4320
LS1030	10	3.0	>1.6	4.6	5	φ480	φ20	2700	3400	3360	4060
LS1050	10	5.0	>1.0	4.5	3	φ480	φ20	3200	4200	3650	4330
LS1630	16	3.0	>3.0	8	5	φ560	φ28	3480	4200	3795	4632
LS1655	16	5.5	>1.8	7.8	5	φ560	φ28	3700	4600	4045	4975
LS2040	20	4.0	>2.8	8.2	5	φ650	φ30	3600	4300	3985	4936
LS2545	25	4.5	>3.3	11	6	φ720	φ32	3500	4600	4280	4877
LS2565	25	6.5	>2.0	13	4	φ720	φ32	3800	4800	4390	5418
LS4080	40	8.0	>3.0	17	6	φ910	φ40	3960	5200	5273	6080



单绳多瓣抓斗技术参数

/Single Rope Multi-peel Grab Bucket Technology Parameters

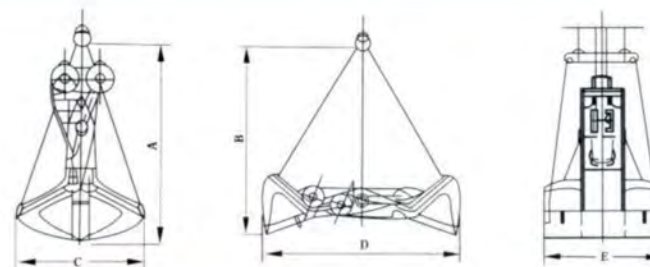
型号 Model	容积 Volume m ³	类型 Type	物料 比重 The rate of material t/m ³	抓取 料重 capturing the material / t	滑轮 倍率 The rate of pulley	钢丝绳 直径 The dia. of steel rope mm	滑轮 直径 The Dia. of pulley mm	抓斗 自重 Grab self weight / t	额定起重 量吨位 using crane ton / t	抓斗总高 Total height of catching like C mm	斗部 Parts of the line B mm	最大张 开尺寸 The most largest opening size A mm
LD0305	0.5	重 Heavy	3.2	1.6	2	φ15	φ230	1.6	3	3070	1780	2100
LD0507	0.75	重 Heavy	3.2	2.4	2	φ18	φ230	2.35	5	3280	1970	2450
LD0510	1	重 Heavy	2	2	2	φ18	φ300	2.45	5	4070	2200	2730
LD0515	1.5	中 Middle	1.5	2.25	2	φ18	φ300	2.6	5	4330	2450	2850



剪式抓斗 / Scissor Grab Bucket

剪式抓斗是把两个颚板靠铰点的端部延长为绳索式加力臂，两臂公用一个叫中心铰点，剪式抓斗开启动作依靠放松剪臂处滑轮组的钢丝绳，收紧支承绳来完成，关闭动作依靠收紧滑轮组的钢丝绳，利用杠杆原理增力，使颚板闭合抓取物料，其闭合合力矩随着闭合过程逐渐增加，抓取物料时干净不漏料，多用在大型桥式卸船机上。

Scissor Grab is two jaw plate at the end of hinge point extended ropes and arm, two arms public a call center hinge point, scissor grab open action rely on relax the wire rope of the pulleys in the belts tightening rope to complete, supporting closing motion rely on tightening of belts and pulleys wire rope, use lever principle, the force that jaw plate closed grab materials, the closed torque with closed process increasing gradually, grab materials clean when not leak expected, the multi-purpose in large bridge type discharging machine.



剪式抓斗技术参数 / Scissor Grab Technology Parameters

型号 Model	额定 起重量 t	斗容 m³	自重 Grab self weight t	外形尺寸 The size of the mm					滑轮直径 The Dia. of pulley mm	钢丝绳直径 The dia of steel rope mm
				A	B	C	D	E		
JZK06	1	0.6	0.45	1300	1660	1000	1300	1300	160	11
JZK07	1	0.75	0.51	1450	1790	1050	1352	1400	160	11
JZK12	3	1.25	0.87	3250	3720	2100	2650	1500	190	13
JZK40	10	4	4.5	4250	4530	2900	3750	2080	450	23
JZK16(4)6	16	4.0	6.0	4325	4475	2675	4590	2000	560	26
JZK20(5)7.5	20	5.0	7.5	4845	5000	2885	5110	2200	650	28
JZK25(6.3)9.4	25	6.3	9.4	5450	5600	3200	5730	2350	720	32
JZK32(8)12	32	8.0	12.0	6140	6290	3400	6400	2600	800	36
JZK40(10.2)14.5	40	10.2	14.5	6920	7070	3660	7200	2750	880	40
JZK50(13)17.6	50	13.0	17.6	7785	7935	3965	8065	3000	920	44
JZK63(16.5)21.8	63	16.5	21.8	8600	8815	4300	8930	3300	1120	48

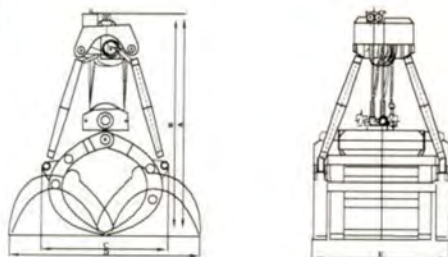
电动多瓣抓斗技术参数 / Electric Many Disc Grab Technology Parameters

型号 Model	容积 m³	类型 Type	物料 比重 The rate of material t/m³	抓取 料量 capturing the material t	滑轮 倍率 The rate of pulley	钢丝绳 直径 The dia. of steel rope mm	滑轮 直径 The Dia. of pulley mm	抓斗 自重 Grab self weight t	配用起重 机吨位 using crane ton t	抓斗 总高 Total height mm	斗部 宽 The dia of the disc mm	最大张 开尺寸 The max. open size mm	功率 kW
LY0303	0.3	重 Heavy	2	0.6	4	φ9	φ250	1.05	3	1850	1300	1650	3.0
LY0305	0.5	重 Heavy	2	1	4	φ11	φ250	1.8	3	2320	1790	2360	4.5
LY0507	0.75	重 Heavy	2	1.5	4	φ13	φ250	2.15	5	2430	1975	2540	7.5
LY0510	1	中 Middle	1.5	1.5	4	φ13	φ250	2.25	5	2610	2190	2760	11
LY0515	1.5	中 Middle	1.5	2.25	4	φ13	φ250	2.36	5	2730	2390	2830	15
LY1030	3	中 Middle	1.5	4.5	5	φ16	φ400	4.67	10	4250	3000	3420	22

木材抓斗/Wood Grab Bucket

木材抓斗适用于木材厂，大型木制品厂、纸厂、港口等行业，用来卸船、装驳、扎排、装车 and 堆拆杂、其结构分为单绳、双绳、四绳、电动四种类型，也可根据用户需要进行设计制造。

Wood grab bucket is adjust to wood factory ,large wood product factory ,paper mill, port etc. industry.It is used to ship unload,outfit barges ,log raft ,load trucks and unpling.its structure includeds single rope ,double rope ,four rope and electric type and it can also be designed accroding to clients needed .



单绳、双绳、四绳木材抓斗技术参数 /Wood Grab Technology Parameters

吊机吨位 The tonnage of the crane	t	3t	5t	10t	15t	16t
型号 Model		M3-1 M3-2	M5-1 M5-2	M10-1 M10-2	M15-1 M16-1	
面积 volume	m ³	0.45 0.45	0.75 0.75	1.25 1.25	1.9 2	
自重 Grab self weight	t	1.15 1.2	1.75 2.2	3.7 3.9	4.75 5.8	
材长 Material length	m	8 8	8 12	12 12	12 12	
绳径 rope diameter	mm	φ13 φ13	φ16 φ16	φ22 φ22	φ28 φ28	
绳数 rope number		1 2	1 4	2 4	4 4	
倍率 rate		3 5	3 4	5 5	4 4	
尺寸 size mm	A	2870 2870	2860 3500	3650 3650	3840 4460	
	B	2540 2540	2700 3400	3450 3450	3650 4140	
	C	1500 1500	1670 2200	1980 1980	2380 2520	
	D	2150 2150	2560 3200	3000 3000	3500 3500	
	E	1100 1100	1200 1400	2100 2100	2000 2100	

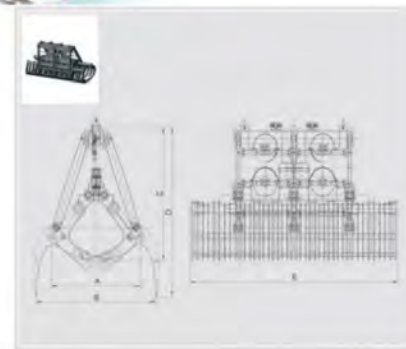
绳索式清污矩形抓斗 /Rope Type Rack Cleaner Rectangular Grab Bucket

绳索式矩形抓斗是适用于在水库、闸坝、河道等特定场合从事垃圾或杂物、漂浮物的抓取和清理的理想机具。

Rope type rectangular is applied to using certain occasions ,such as water storage sluice gate, river channel.It is engaged in cleaning the rubbish or debris and the floating debris.



液压清污抓斗
Hydraulic grab rack cleaner



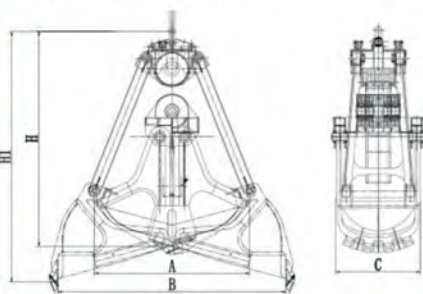
型号 Model	斗容 Volume m ³	自重 Grab self weight kg	抓斗外形尺寸 Image and size mm					滑轮直径 The Dia. of pulley mm	使用高度 use altitude m	钢丝绳直径 The dia. of steel rope mm	额定起重 crane lifting capacity t
			A	B	C	D	E				
QW10[7.5]4.5	5	7.2(3)	1900	2548	2450	3088	4428	520	7.5	22	10
QW16[12]6.5	8	7.2(3)	2200	2982	2866	3613	5181	560	8.5	28	16
QW20[15]8.8	10	9(3)	2400	3212	3087	3892	5580	650	9	32	20
QW25[18]10.5	12.5	11.5(3)	2600	3459	3325	4192	6009	720	10.5	32	25

疏浚抓斗 / Dredging Grab Bucket



疏浚抓斗是适用于双绳或四绳起重机在海河航道、港口码头等作业场合从事水下淤泥、板砂、碎石类物料挖掘和清淤的理想机具。

Dredging grab bucket is suitable for double rope or four rope hoist crane which is engaged in the sea river channel, port wharf etc. occasions. It is engaged in underwater silt, board occasion of sand, gravel material scraping and the ideal shape machine.



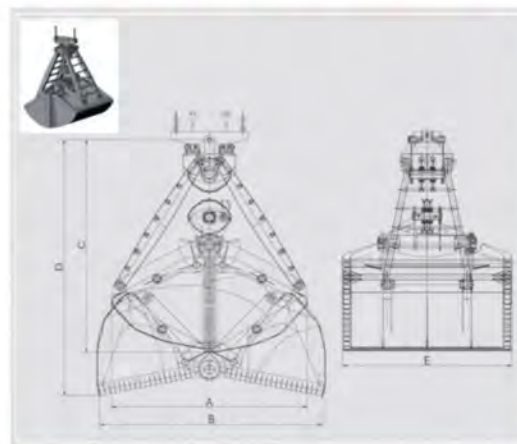
型号 Model	斗容 Volume m ³	自重 Grab self weight kg	抓斗外形尺寸 Image and size mm					滑轮 直径 The Dia. of pulley mm	倍率 Rate	额定 起重量 crane lifting capacity t
			A	B	C	H	H1			
SJ6[1.0]4A	1.0	4.0	2380	3458	1320	3533	4083	560	5	6
SJ12[1.5]6.5A	1.5	6.5	3020	4039	1500	3772	4532	560	5	12
SJ20[5.0]8A	5.0	8.0	3260	5042	1820	4502	5280	650	4	20
SJ30[5.0]13B	5.0	13	3740	5450	2012	4942	5916	800	5	30
SJ55[5.5]35B	5.5	35	3980	5812	2150	5614	6565	880	6	55
SJ45[4.0]25AV	4.0	25	3840	5657	1950	5748	6715	880	6	45
SJ46[5.0]36BV	5.0	36	3600	5947	1940	6164	7125	880	6	45
SJ45[8.0]28AV	8.0	28	4040	6632	2102	6494	7364	880	6	45
SJ55[5.0]32B	5.0	32	3960	5734	1940	7194	8167	880	5	55
SJ70[16]48AV	16	48	5130	7712	2954	7415	8724	1045	6	70
SJ80[8.0]60AV	8.0	60	4130	6695	2530	7189	7753	1045	7	80
SJ80[11]55BV	11	55	5120	7780	2420	7553	8924	1045	7	80
SJ200[9.0]110BV	9.0	70	5465	7202	3000	8666	10264	1500	7	110

四索防漏双瓣抓斗 / Four Rope Prevent Leakage Double Disc Grab Bucket



防漏抓斗是一种适用于港口、散货船、大型粮库、散货堆场等作业场合。从事小颗粒溢流类物料，是粮食、散化肥、细矿砂等易漏洒散装物料装卸的理想工具。在抓满物料运转时不易漏洒。

Prevent leakage grab bucket is a kind of applicable to port, bulk carrier, large grain depot, bulk yard etc. homework occasion. Working in small particles of overflow, is a grain, bulk material chemical fertilizer, fine ore, and easy leak spilled bulk materials handing ideal tool. Grasping at full materials operation not easy leak spilled.

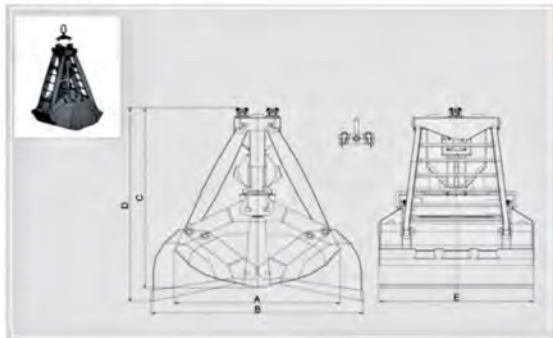


型号 Model	斗容 Volume m ³	自重 Grab self weight kg	抓斗外形尺寸 Image and size mm					滑轮 直径 The Dia. of pulley mm	使用 高度 use altitude m	钢丝绳 直径 The dia. of steel rope mm	额定 起重量 crane lifting capacity t
			A	B	C	D	E				
SFL10[7.5]4.5	7.5	4.5	2900	3836	3820	4430	2400	520	12	24	10
SFL16[12]6.5	12	6.5	3300	4234	4209	4936	2968	560	12.5	28	16
SFL20[15]8.8	15	8.8	3810	4340	4481	5396	3290	650	14.5	30	20
SFL25[18]10.5	18	10.5	4000	4624	5082	6036	3500	720	15	32	25

无线遥控双瓣抓斗 / Wireless Remote Rontrolled GrabBucket

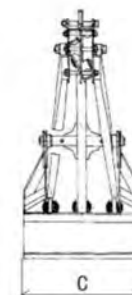
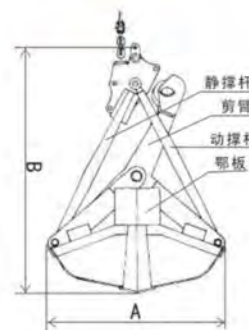
无线遥控抓斗是我公司研发的一种适用于单钩起重机,在港口、散货船等作业场合从事矿粉、煤炭、砂石等颗粒状及小快状散装物料的理想工具。其结构合理,开启机构新颖。在单绳抓斗的结构基础上,采用无线遥控的方式控制抓斗在空中自动张开,完全实现单绳抓斗在空中开启卸料。使用操作方便,动作可靠稳定。

Wireless remote control grab is a of research and development for a single hook crane, in port, bulk carriers and other work occasions in the slag, coal, sand and other granular materials in bulk and small block ideal tool. Its structure is reasonable, opening and closing mechanism is novel. On the basis of the single-rope grab structure, using the wireless remote controled grab automatic open in the air, the full realization of single-rope grab in the air unloading. Application easy to operate, reliable and stable operation.



型号 Model	斗容 Volume m ³	自重 Grab self weight t	抓斗外形尺寸 Image and size mm					滑轮 直径 The Dia. of pulley mm	钢丝绳 直径 The dia of steel rope mm	额定 起重量 crane lifting capacity t
			A	B	C	D	E			
YK10[5]5	5	5.0	2635	3358	3519	3914	2600	445	24	10
YK14[7]8.5	7	6.5	2780	3398	4092	4448	2800	520	28	14
YK16[8]7.5	8	7.5	2780	3398	4092	4448	3000	520	28	16
YK20[10]9	10	9.0	2810	3591	4192	4513	3560	560	32	20
YK25[13]10	13	10	3000	3837	4487	4850	3800	650	36	25
YK28[16]11	16	11	3060	3887	4559	4819	4320	650	36	28
YK35[20]15	20	15	3270	4109	5008	5391	4600	720	40	35
YK40[24]17	24	17	3520	4374	5136	5495	4700	880	45	40

半剪式散货抓斗 / Half a cissor Grab Bucket



半剪式抓斗是一种吸收长撑杆抓斗和剪式抓斗的优点,取长补短,两优结合。该抓斗由前臂、动撑杆、静撑杆和鄂板等组成。前臂中部铰接在鄂板中心铰处,前臂的一端铰接在鄂板上,另一端安装下滑轮,作业时提升下滑轮,使鄂板闭合,抓取物料,抓取力强,打开轻松,适用于单绳、双绳类起重机进行黄沙、煤炭、砂粉、钢渣等散货物料装卸。

Half a scissor grab is absorbed the advantages of long poles grab and scissor grab. Combined with the both of advantages. This grab bucket is composed of forearm, moving jackstay, static jackstay and gnathostegite. The central of forearm hinge joint the gnathostegite central, one side of the forearm hinge joint gnathostegite, the other side equipped the down pulley, when working, lifting the down pulley, it will close gnathostegite, capture the materials. grasping force strong, opening easily, it is suitable for single rope and double rope grab bucket, load and unload the loose materials such as sand, coal, steel slag ect.

型号 Model	斗容 Volume m ³	自重 Grab self weight t	抓斗外形尺寸 Image and size mm			额定 起重量 crane lifting capacity t	比重 rate t/m ³	滑轮 倍率 The rate of pulley	最大张开 尺寸 The most largest opening size mm
			A	B	C				
BJZ03-1	1.5	1.6	1800	2800	1360	3	0.8-1.2	3	2500
BJZ03-2	1.0	1.5	1600	2560	1400	3	1.2-1.8	3	2400
BJZ05-1	2.0	2.3	2200	3120	1460	5	0.8-1.2	4	2900
BJZ05-2	1.5	2.6	2000	3100	1400	5	1.6-2	4	2800
BJZ05-3	1.0	2.5	1800	2860	1300	5	2-2.5	4	2560
BJZ8-1	3.5	3.2	2600	3530	1800	8	0.8-1.2	3	3200
BJZ10-1	5	4.4	2800	4100	2100	10	0.8-1.2	3	3900
BJZ10-2	3.3	4.5	2500	3930	1700	10	1.2-2.0	4	3700
BJZ10-3	2.5	4.3	2400	3920	1600	10	2-2.5	4	3300